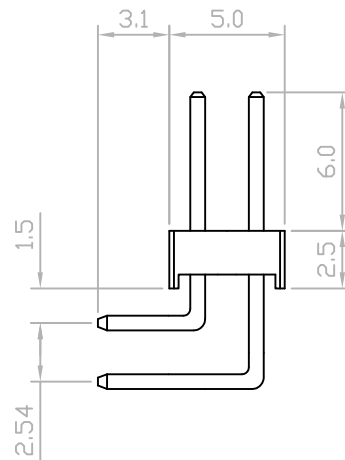
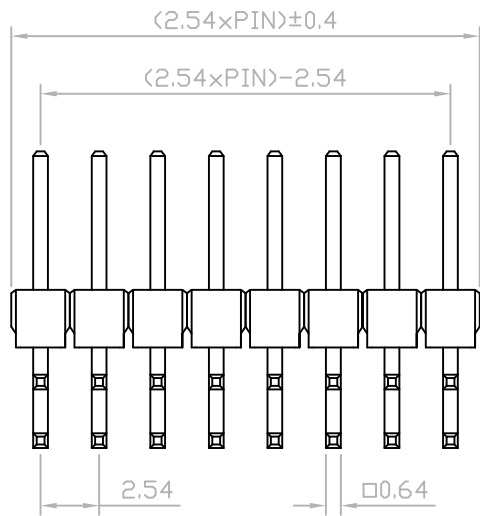


**MATERIALS**

1. CONTACT: BRASS
2. INSULATOR: PBT (UL 94V-0)
3. CONTACT PLATING: GOLD OVER NICKEL

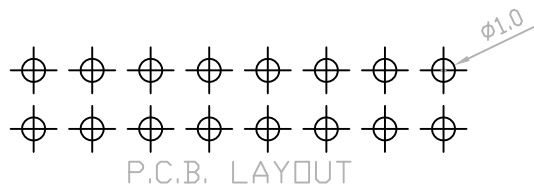
**SPECIFICATION**

1. INSULATOR RESISTANCE: 5000M ohms Min
2. CURRENT RATING: 3 Amps
3. DIELECTRIC WITHSTANDING VOLTAGE: AC 500V
4. OPERATING TEMPERATURE: -45°C TO +105°C



ORDER INFORMATION PART NUMBER :  
PH2XXR

NO. of contek = Code  
04 ( 4 PIN ) TO 80 ( 80 PIN )



|              |                                   |   |              |       |
|--------------|-----------------------------------|---|--------------|-------|
| UNIT: MM     | TYPE:<br>PIN HEADER 2.54<br>90 雙排 | MODEL NO:<br><b>PH2_ _R</b>                   | PAGE 1 OF 1  |       |
|              |                                   |   | PAPER NO: A4 | SCALE |
|              |                                   |   |              | VER   |
| DESIGNER BY: |                                   | 丞永實業有限公司<br>BLUE SOURCES ELECTRONICS CO.,LTD. |              |       |
| CHECK BY:    |                                   |   |              |       |
| APPROVED BY: |                                   |   |              |       |