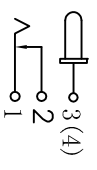
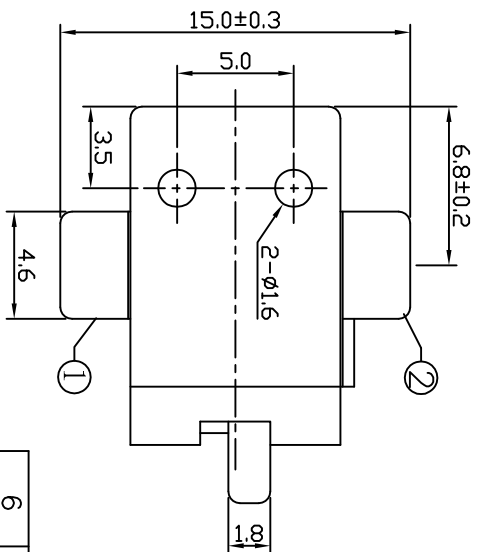


**SCHEMATIC**



- SPECIFICATION**
1. Rating : DC 30V 0.5A
  2. Contact resistance :  $\leq 0.03\Omega$
  3. Insulation resistance :  $\geq 100M\Omega$  (DC250V)
  4. Withstand voltage : 500VAC
  5. Insertion and extraction force : 3-20N
  6. life test : 5,000 cycles



6	COVER	1	PBT		
5	HOUSING	1	PBT		
4	PIN	1	BRASS	Ni-Plating	
3	FLAT PIECE	1	BRASS	Sn-Plating	
2	CURVE PIECE	1	BRASS	Sn-Plating	
1	SPRING	1	BRONZE	Sn-Plating	
NO.	DESCRIPTION	QTY	MATERIAL	PLATING	

UNLESS OTHERWISE SPECIFIED TOLERANCES ARE	
X	±0.30
XX	±0.20
XXX	±0.10
XX*	±3.0°
XXX*	±2.0°
XXXX*	±1.0°

UNIT: MM	TYPE:	MODEL NO:
	DC JACK	DC00880-X
DESIGNER BY:		
CHECK BY:		
APPROVED BY:		

PAPER NO: A4	PAGE 1 OF 1
SCALE 3:1	VER 1

承永實業有限公司  
BLUE SOURCES ELECTRONICS CO.,LTD.