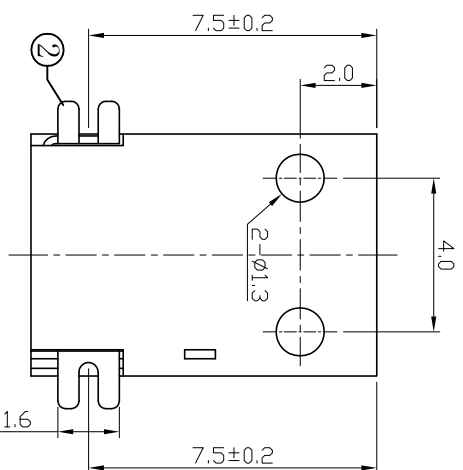
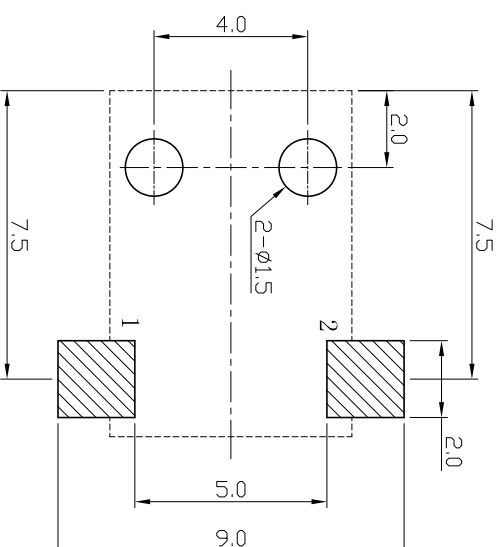
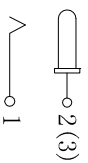


P.C.B LAYOUT  
TOP VIEW



**SCHMATIC**



PIN	φ1.0	φ1.3
APPD.		

- SPECIFICATION**
1. Rating : DC 30V 0.5A
  2. Contact resistance :  $\leq 0.03\Omega$
  3. Insulation resistance :  $\geq 100M\Omega$  (DC250V)
  4. Withstand voltage : 500VAC
  5. Insertion and extraction force : 3-15N
  6. Life test : 5,000 cycles

4	HOUSING	1	PA9T				
3	PIN	1	BRASS				
2	CURVE PIECE	1	BRASS				
1	SPRING	1	STAINLESS STEEL				
NO.	DESCRIPTION	QTY	MATERIAL	PLATING			
UNIT: MM		TYPE:	MODEL NO:	PAGE 1 OF 1			
DC JACK			DC00470-X	PAPER NO: A4	SCALE	VER	
DESIGNER BY:				5:1			1
CHECK BY:							
APPROVED BY:							

UNLESS OTHERWISE SPECIFIED DIMENSIONS ARE IN MILLIMETERS

x ±0.30  
 .xx ±0.20  
 .xxx ±0.10  
 x° ±3.0°  
 .xx° ±2.0°  
 .xxx° ±1.0°