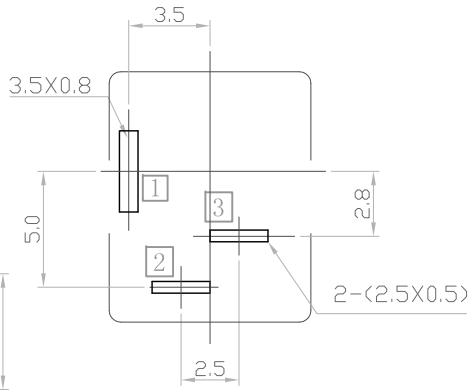
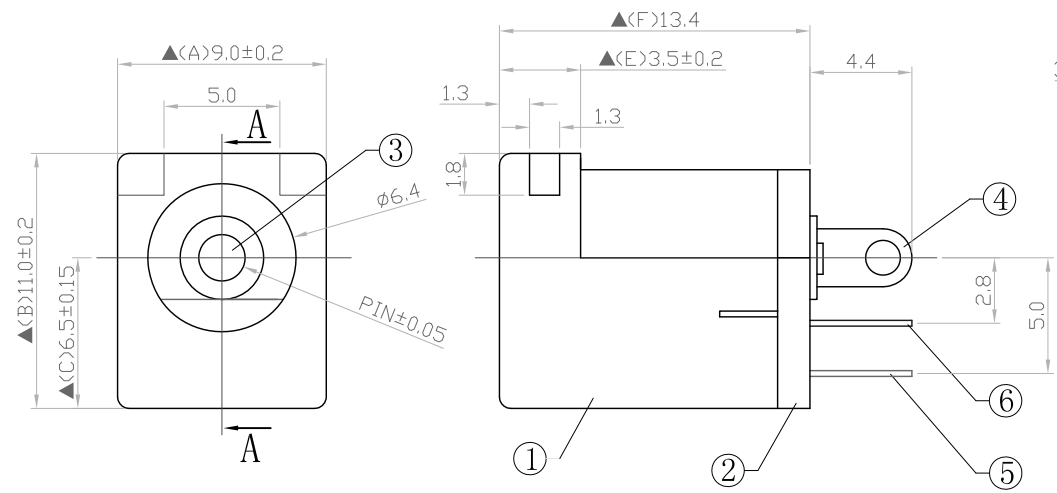


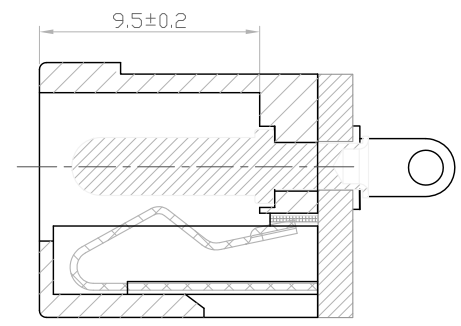
REV. LTR.	DESCRIPTION	SIGN	DATE

P. C. B Layout (Copper-sided view)

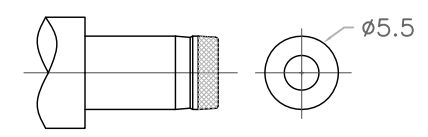


DC 0 0 1 2 B - A □
 (1) (2) (3) (4)
 (1) :Series type:DC=DC POWER JACK
 (2) :Series No.
 (3) :Schematic option: A
 (4) :Center pin diameter:
 H=02.0, I=02.35, J=02.5

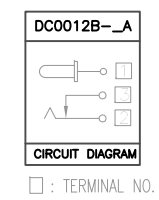
Model No.	DC0012B-H	DC0012B-I	DC0012B-J
PIN	$\phi 2.0$	$\phi 2.35$	$\phi 2.5$



SECTION A-A



DC MATE PLUG



- SPECIFICATION**
- Rating : DC 30V 0.5A ;
 - Contact resistance : $\leq 30m\Omega$;
 - Insulation resistance : $\geq 100M\Omega$ (DC500V) ;
 - Withstand voltage : 500VAC ;
 - Insertion and extraction force : 3-30N;
 - life test : 5,000 cycles;
 - Operation temperature range:-20°C~70°C;
 - Preservative temperature range:-40°C~85°C;
 - Sign"▲" is importance dimension.

⑥	Shunt terminal	3	1	Brass	Silver plating
⑤	Tip spring	2	1	Phosphor bronze	Silver plating
④	Center pin terminal	1	1	Brass	Silver plating
③	Center pin	1	1	Brass	Nickel plating
②	Cover		1	PBT	Black
①	Housing		1	PBT	Black
NO.	DESCRIPTION	QTY	MATERIAL	REMARK	
UNIT: MM		TYPE:		MODEL NO:	
		DC POWER JACK		DC0012B-A_	
DESIGNER BY:		Wangyan 2010. 8. 30		PAPER NO: A4	
CHECK BY:				PAGE 1 OF 1	
APPROVED BY:				TOLERANCE	
				ANGLES	
				SCALE	
				VER	
				± 0.3	
				$\pm 2'$	
				FULL	
				2	
				丞永實業有限公司	
				BLUE SOURCES ELECTRONICS CO.,LTD.	