

REV. LTR.	DESCRIPTION	SIGN	DATE
	Update drawing	Shangxiuke 2011.06.22	

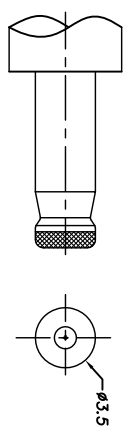
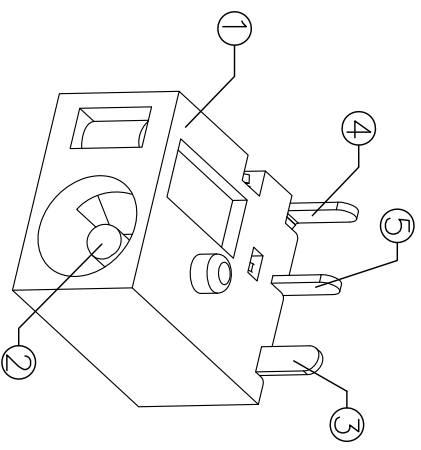
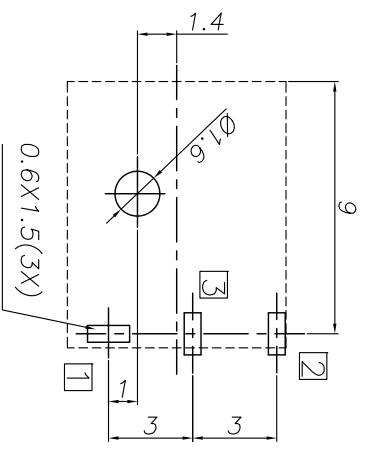
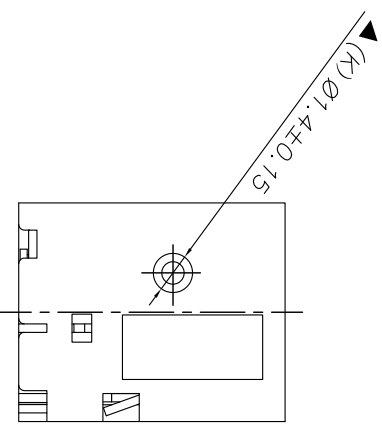
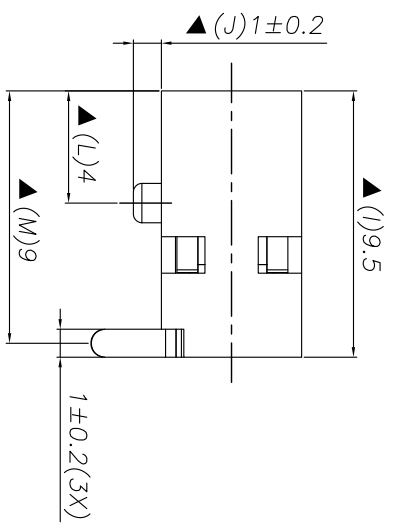
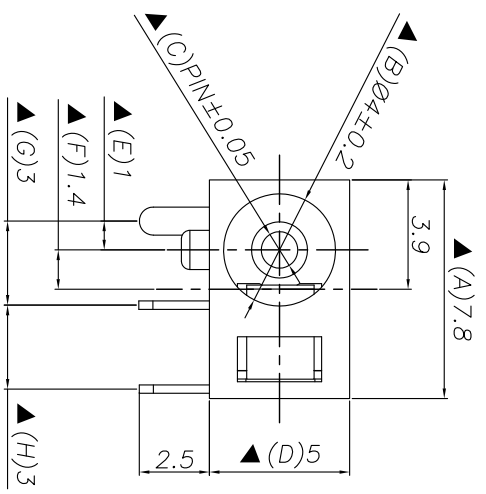
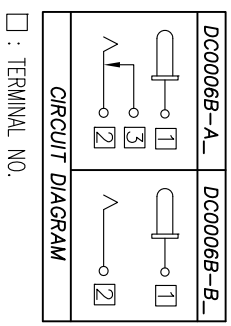
Ordering information:

DC0006B-A-B-C-E
 (1) (2) (3)

(1):Series No.

(2):Schematic option:
A、B

(3):Center pin diameter:
C=01.0,E=01.3



Model No.	DC0006B--C	DC0006B--E
PIN	01.0	01.3

DC MATE PLUG

RECOMMENDED P. C. B. LAYOUT
 UNSPECIFIED TOLERANCE: ±0.05
 (BOTTOM VIEW)

Specification:

- 1.Rating : DC 20V 2A.
- 2.Contact resistance : ≤50mΩ.
- 3.Insulation resistance : ≥100MΩ (500VDC).
After test: ≥50MΩ.
- 4.Withstanding voltage : 500VAC.
- 5.Insertion and extraction force : 3N~30N.
- 6.life test : 5000cycles min.
- 7.Operation temperature range:-20℃~70℃.
- 8.Preservative temperature range:-40℃~85℃.
- 9.Sign"▲"is importance dimension °

NO.	DESCRIPTION	QTY	MATERIAL	PART NO.	REMARK
⑤	Shunt terminal	1	Brass t0.3	DC0006B-03(PP-DC0009)	Silver plating
④	Tip spring	1	Stainless steel t0.3	DC0006B-02(TP-DC0010)	Silver plating
③	Center pin terminal	1	Brass t0.3	DC0006B-01(PP-DC0008)	Silver plating
②	Center pin	1	Copper alloy	DC00450-99C/E	Nickel plating
①	Housing	1	PBT/PA66	DC0006B-ST(ST-DC0011)	

UNIT:MM	TYPE:	MODEL NO:	PAPER NO: A4	PAGE 1 OF 1
	DC POWER JACK	DC0006B-__		

DESIGNER BY:	Zhangxiuke	承永實業有限公司 BLUE SOURCES ELECTRONICS CO.,LTD.
CHECK BY:	Wangyue	
APPROVED BY:	Ocean	